

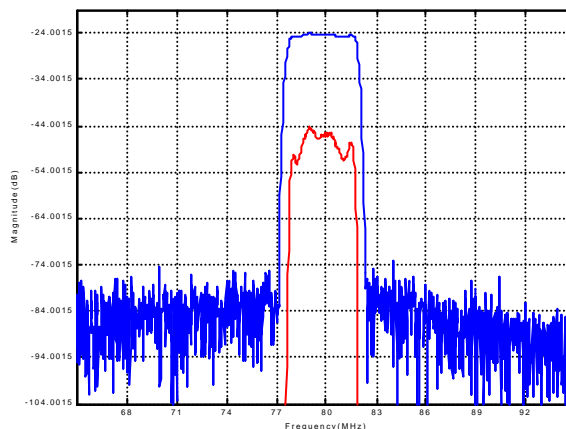


LBT08015 SAW Filter Electrical Characteristic

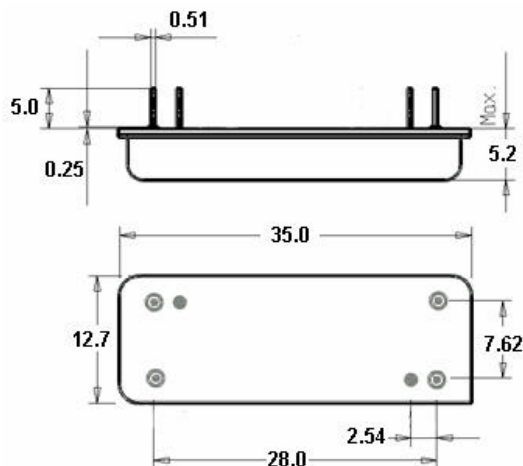
Specifications

Parameter	Unit	Minimum	Typical	Maximum
<i>Center Frequency</i>	MHz	79.7	79.8	79.9
<i>Insertion Loss</i>	dB		24.0	25
<i>1 dB Bandwidth</i>	MHz	3.84	3.842	
<i>3 dB Bandwidth</i>	MHz	4.1	4.12	
<i>50 dB Bandwidth</i>	MHz		5.16	5.2
<i>Passband variation</i>	dB		0.7	1.0
<i>Absolute Delay</i>	usec		3.73	3.75
<i>Ultimate Rejection</i>	dB	50	52	
<i>Substrate Material</i>		112 LT		
<i>Ambient Temperature</i>	°C	25		
<i>Package Size</i>	DIP3512 (35.0x12.7x5.2mm ³)			

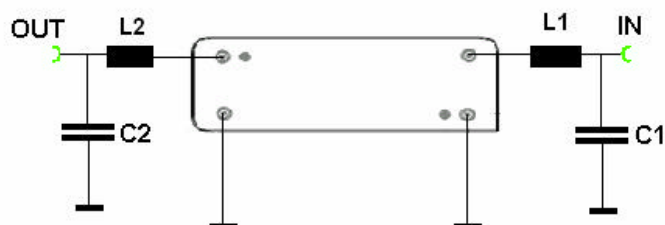
Typical Performance



Package Outline



Matching Configuration



L1=L2=100nH
 C1=90pF C2=80pF

Source/Load Impedance = 50 ohm